

Model 6A

Current Transformer Window Diameter 2.06"

Application

Ammeters, wattmeters and cross current compensation.

Frequency

50-400 Hz.

Insulation Level

600 Volt, 10 kV BIL full wave.

Flexible leads are UL 1015, 105°C, CSA approved, #16 AWG, 24" long. Non-standard, lead length can be specified.

Order mounting bracket kit 0221B00181 separately for Model 6ASHT.

Model 6ASHT and model 6ASFT also available as 6ASHL and 6ASFL with leads.

Approximate weight 1.25 lbs.



Model 6ASFT

Model 6ASHT

Model 6ARL



Data Table: Model 6A

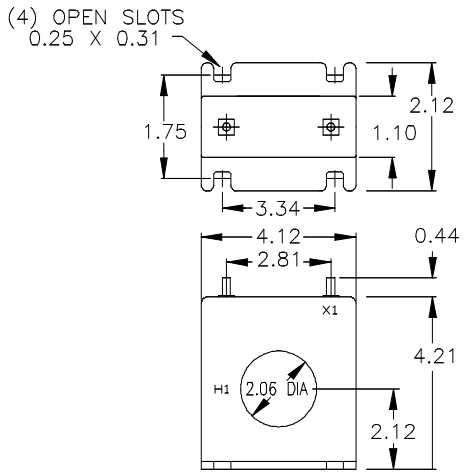
Catalog Number	Current Ratio	V.A. ± 1% Class	ANSI Metering Class at 60HZ					Secondary Winding Resistance (Ω @ 75 °C)	Continuous Thermal Rating Factor	
			B0.1	B0.2	B0.5	B0.9	B1.8		@ 30°C	@ 55 °C
6A**-101	100:5	1.0	1.2	2.4	—	—	—	0.015	2.0	2.0
6A**-151	150:5	5.0	1.2	1.2	4.8	4.8	—	0.024	2.0	2.0
6A**-201	200:5	5.0	0.6	1.2	2.4	4.8	—	0.037	2.0	2.0
6A**-251	250:5	7.5	0.3	0.6	2.4	2.4	4.8	0.044	2.0	1.5
6A**-301	300:5	12.5	0.3	0.6	1.2	2.4	2.4	0.055	2.0	1.5
6A**-401	400:5	15.0	0.3	0.3	0.6	1.2	2.4	0.071	1.5	1.33
6A**-501	500:5	25.0	0.3	0.3	0.6	1.2	2.4	0.107	1.5	1.0
6A**-601	600:5	30.0	0.3	0.3	0.6	0.6	1.2	0.128	1.33	1.0
6A**-751	750:5	30.0	0.3	0.3	0.6	0.6	1.2	0.156	1.25	1.0
6A**-801	800:5	35.0	0.3	0.3	0.6	0.6	0.6	0.167	1.25	0.8
6A**-102	1000:5	35.0	0.3	0.3	0.3	0.6	0.6	0.250	1.0	0.8
6A**-122	1200:5	40.0	0.3	0.3	0.3	0.3	0.6	0.250	1.0	0.8
6A**-152	1500:5	50.0	0.3	0.3	0.3	0.3	0.6	0.388	1.0	0.8

**Note: When ordering, prefix Cat No. with model designation required i.e. 6ASHT-201, 6ARL-301, etc.

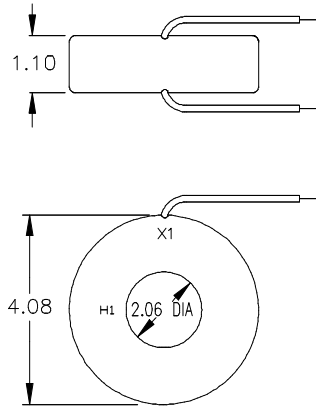


Model 6A

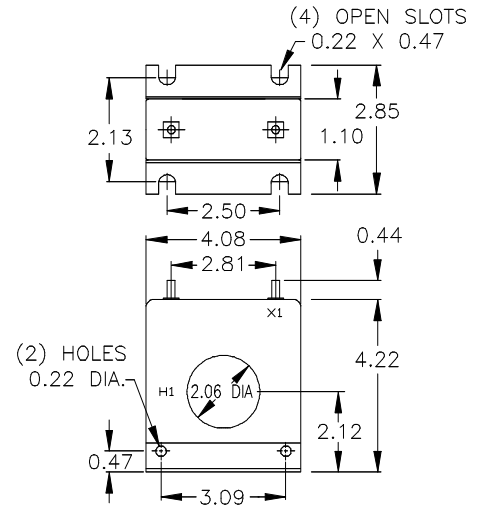
Model 6ASFT



Model 6ARL



Model 6ASHT



Grid-AIS-L4-ITI_Model_6A-1216-2017_05-EN. © Copyright 2017. General Electric Company and Instrument Transformers LLC reserve the right to change specifications of described products at any time without notice and without obligation to notify any person of such changes.

